

**EVALUATION REPORT OF
UNION CORRUGATING COMPANY
'26 GA. MASTERRIB PANEL'**

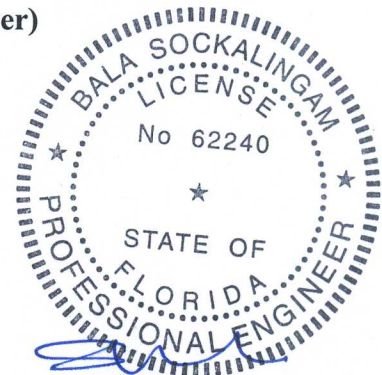
**FLORIDA BUILDING CODE 6TH EDITION (2017)
FLORIDA PRODUCT APPROVAL
FL 7271.8-R4
ROOFING
METAL ROOFING**

**Prepared For:
Union Corrugating Company
701 S. King St.
Fayetteville, NC 28301
Telephone: (910) 483-0479
Fax: (910) 483-1091**

**Prepared By:
Bala Sockalingam, Ph.D., P.E.
Florida Professional Engineer #62240
1216 N Lansing Ave., Suite C
Tulsa, OK 74106
Telephone: (918) 492-5992
FAX: (866) 366-1543**

**This report consists of
Evaluation Report (2 Pages including cover)
Installation Details (1 Page)**

**Report No. C2174-8
Date: 8.23.2017**



8.23.2017

Manufacturer: Union Corrugating Company

Product Name: MasterRib Panel

Panel Description: 36" wide coverage with 3/4" high ribs at 9" o.c.

Materials: Minimum 26 ga., 80 ksi steel. Galvanized coated steel (ASTM A653) or Galvalume coated steel (ASTM A792) or painted steel (ASTM A755).

Deck Description: Min. 19/32" thick APA rated plywood or min. 3/4" thick wood plank (min SG of 0.42) for new and existing constructions. Designed by others and installed as per FBC 2017.

Underlayment: Minimum underlayment as per FBC 2017 Section 1507.4.5.1

Slope: 1/2:12 or greater in accordance with FBC 2017 Section 1507.4.2

Design Uplift Pressure: 61.8 psf @ fastener spacing of 30" o.c.
(Factor of Safety = 2) 114.3 psf @ fastener spacing of 24" o.c.

Panel Attachment: #9-15 or #10-14 x 1.5" long wood screw with washer
At panel ends @ 5.5"-3.5"-5.5" o.c. across panel width
At interior @ 9" o.c. across panel width

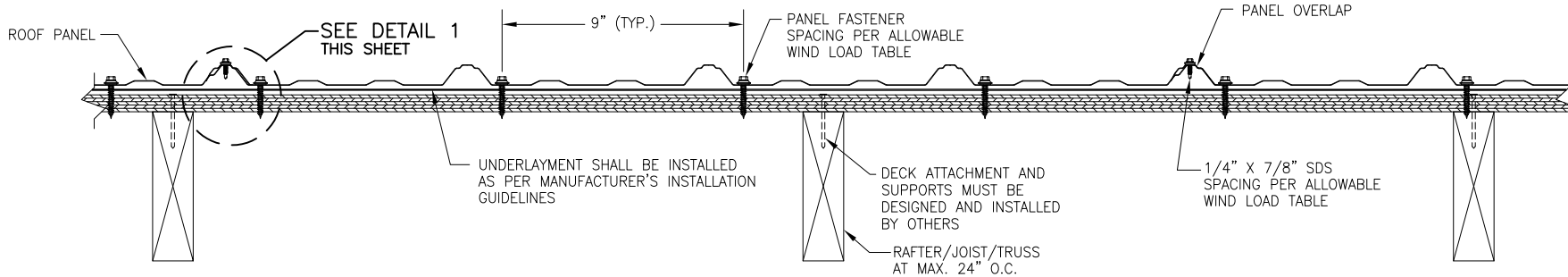
Sidelap Attachment: 1/4"-14 x 7/8" long SDS with washer @ max 30" o.c.

Test Standards: Roof assembly tested in accordance with TAS 125-03 'Standard Requirements for Metal Roofing Systems'.

Code Compliance: The product described herein has demonstrated compliance with FBC 2017 Section 1507.4.

Product Limitations: Design wind loads shall be determined for each project in accordance with FBC 2017 Section 1609 or ASCE 7-10 using allowable stress design. The maximum fastener spacing listed herein shall not be exceeded. This evaluation report is not applicable in High Velocity Hurricane Zone. Refer to current NOA for use of this product in High Velocity Hurricane Zone. Fire classification is not within scope of this Evaluation Report. Refer to FBC 2017 Section 1505 and current approved roofing materials directory or ASTM E108/UL790 report from an accredited laboratory for fire ratings of this product.

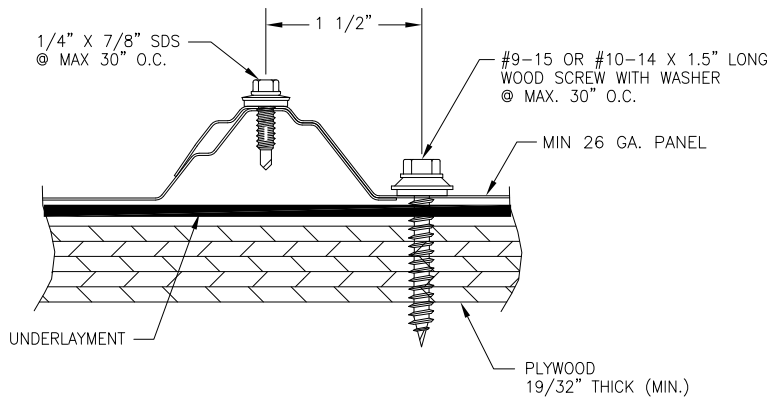
Supporting Documents: TAS 125-03 Test Reports
Hurricane Test Laboratory
Report No. 0293-0611-05, Reporting Date 8/31/05



TYPICAL PANEL INSTALLATION X-SECTION

ALLOWABLE UPLIFT PRESSURE

OVERLAP FASTENERS SPACING ALONG RIB	PANEL FASTENERS SPACING ALONG RIB	PRESSURE (PSF)
30"	30"	61.8
24"	24"	114.3



DETAIL 1

GENERAL NOTES:

1. ARCHITECTURAL ROOF PANEL HAS BEEN DESIGNED IN ACCORDANCE WITH THE FLORIDA BUILDING CODE (FBC).
2. ROOF PANELS SHALL BE MINIMUM 26 GA. EFFECTIVE COVERING WIDTH OF PANEL = 36".
3. THE ROOF PANELS SHALL BE INSTALLED OVER SHEATHING & STRUCTURE AS SPECIFIED ON THIS DRAWING.
4. REQUIRED DESIGN WIND LOADS SHALL BE DETERMINED FOR EACH PROJECT. THIS PANEL SYSTEM MAY NOT BE INSTALLED WHEN THE REQUIRED DESIGN WIND LOADS ARE GREATER THAN THE ALLOWABLE WIND LOAD TABLE.
5. ALL FASTENERS MUST BE IN ACCORDANCE WITH THIS DRAWING & THE FLORIDA BUILDING CODE. IF A DIFFERENCE OCCURS BETWEEN THE MINIMUM REQUIREMENTS OF THIS DRAWING & THE CODE, THE CODE SHALL CONTROL.
6. RAFTERS/JOISTS/TRUSSES MUST BE DESIGNED TO WITHSTAND WIND LOADS AS REQUIRED FOR EACH APPLICATION AND ARE THE RESPONSIBILITY OF OTHERS.

DRAWN BY: B.S.
CHECKED BY:

PLOT: DATE: 3/19/15

NO.	REVISION	DESCRIPTION	BY	DATE

MANUFACTURER
UNION CORRUGATING CO.
701 S. KING STREET
FAYETTEVILLE, NC 28301
910-483-2195

DRAWING TITLE
MASTERRIB PANEL

CONSULTANTS
BALA SOCKALINGAM, PH.D., P.E.
1216 N. LANSING AVE., SUITE C
FAYETTEVILLE, NC 28301
PHONE: 918-492-8992 FAX: 866-366-1543

DRAWING NO. REV.
C2174-8

SHEET NO.
1 OF 1